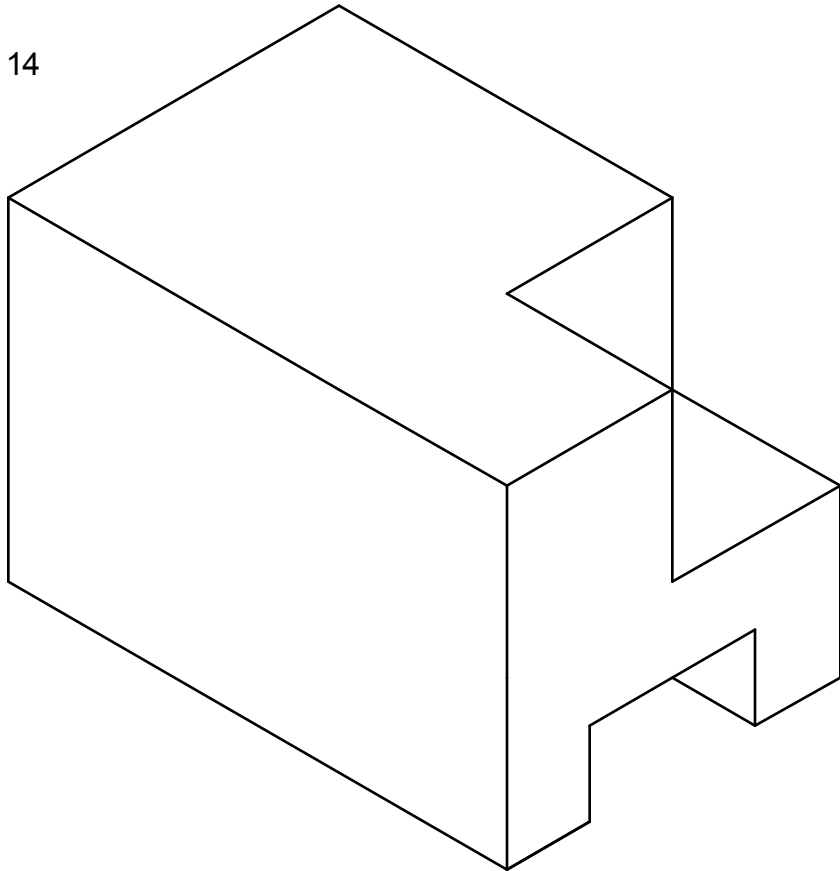
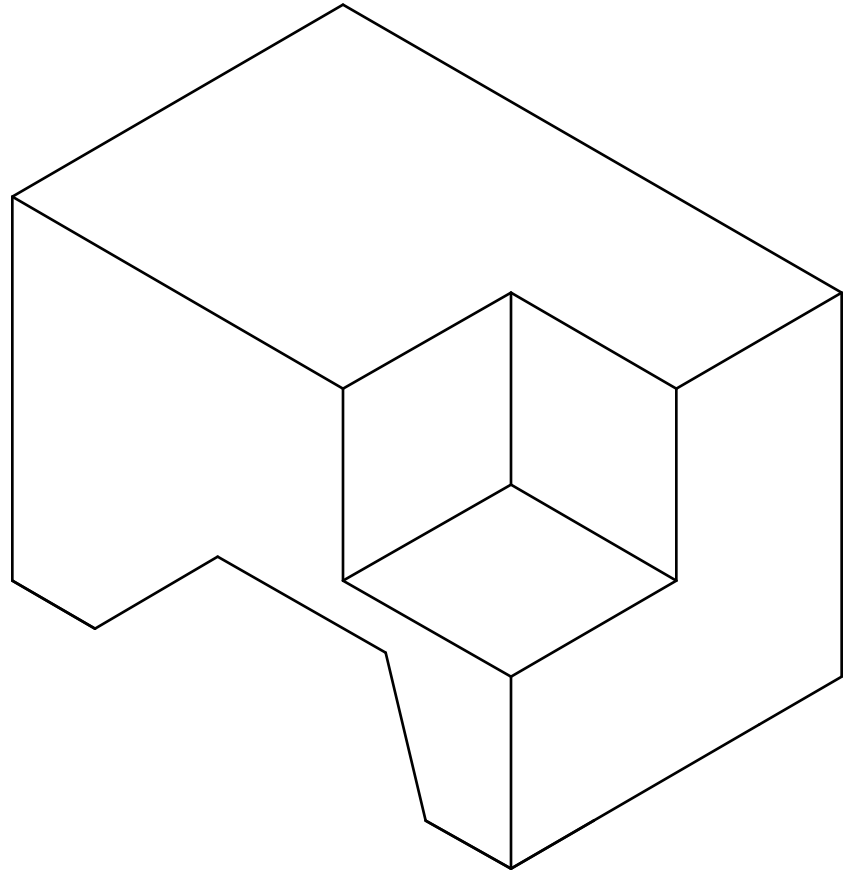


14



20



**STEVENSON HIGH SCHOOL**  
TECHNOLOGY EDUCATION DEPARTMENT  
TECHNICAL DRAWING PROGRAM

DRN BY: SEAN G.  
DATE: 11/3/11  
SCALE: 1:1

MEASURING EXTRA 2

1  
1